

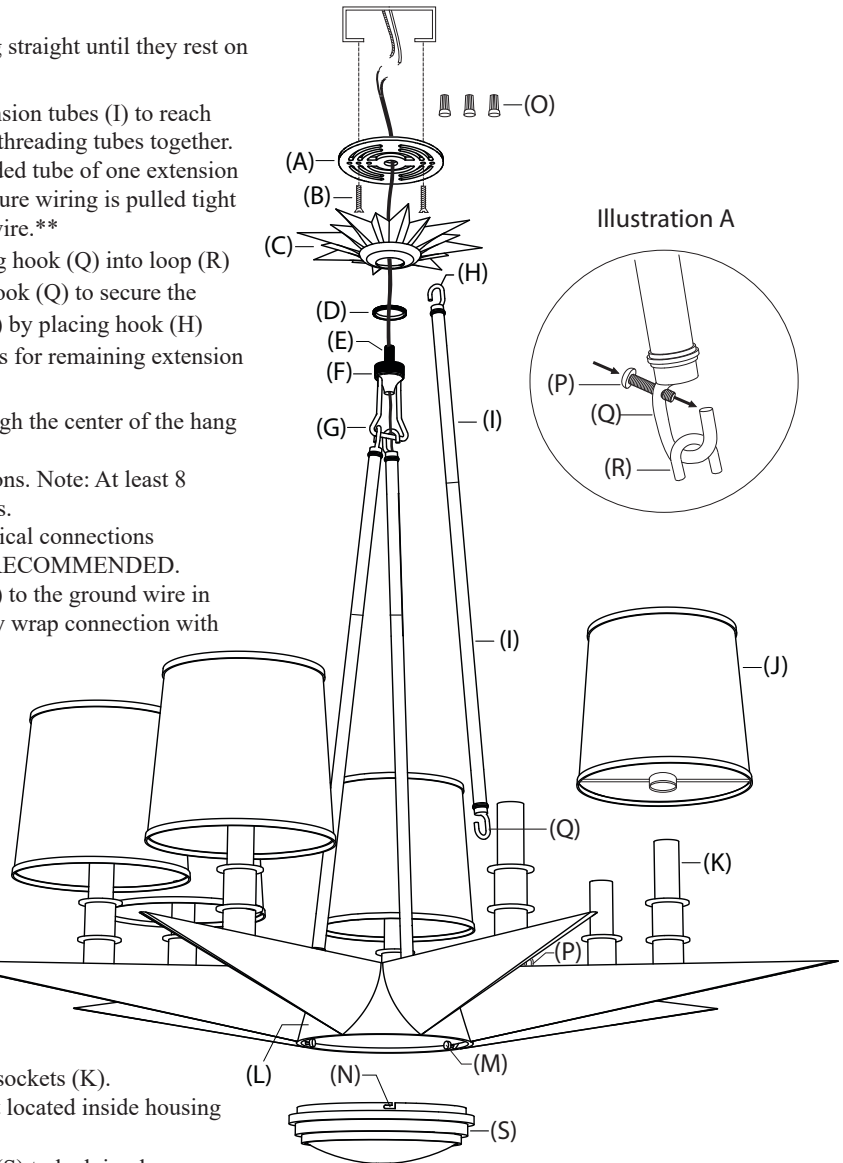
ASSEMBLY INSTRUCTIONS FOR YOUR COSMOS CHANDELIER

IMPORTANT SAFETY INSTRUCTIONS:

- *These instructions are provided for your safety.
- *It is very important that they are read completely before beginning the installation of your fixture.
- *WE STRONGLY RECOMMEND INSTALLATION BY A LICENSED ELECTRICIAN.**
- *Turn off power at switch before replacing bulbs, making sure fixture has had sufficient time to cool down.
- *This fixture is UL rated for dry locations.

ASSEMBLY INSTRUCTIONS:

1. SHUT OFF THE MAIN ELECTRICAL SUPPLY FROM THE MAIN FUSE BOX/ CIRCUIT BREAKER.
2. Remove all parts carefully from the carton. Do not throw away any parts.
3. Remove mounting plate (A) from canopy (C) by unthreading threaded tube (E) with hang straight (F) and collar (D) still attached. Set hang straight (E) with collar (C) and threaded tube (D) attached aside.
4. Carefully pull the wiring from the ceiling outlet box. Thread the wires through the center hole in mounting plate (A).
5. Affix mounting plate (A) to ceiling outlet box with mounting screws (B), provided.
6. Thread threaded tube (E) with hang straight (F) and collar (D) attached onto mounting plate (A).
7. Unthread collar (D). Slide collar (D) and canopy (C) over hang straight until they rest on loop (G).
8. Measure desired drop for fixture to hang and add/remove extension tubes (I) to reach desired position. Guide wiring through extension tubes before threading tubes together.
****TO ADD/ REMOVE EXTENSIONS: (Un)Thread the threaded tube of one extension out of/ into the threaded opening of the next extension. Make sure wiring is pulled tight when threading extensions together to prevent damage to the wire.****
9. Attach the bottom of the extension arm to the fixture by placing hook (Q) into loop (R) as shown in Illustration A. Thread screw (P) completely into hook (Q) to secure the extension arm to the fixture frame. Attach hook (H) to loop (G) by placing hook (H) over loop (G) and tighten screw to secure in place. Repeat steps for remaining extension arms.
10. Guide wires exiting the top extension through loop (G), through the center of the hang straight (F), and up through the hole in the canopy (C).
11. Cut the cord to the desired length to make electrical connections. Note: At least 8 inches of wire is needed to make proper electrical connections.
12. Lift canopy (C) to mounting plate (A) and make proper electrical connections described in steps 13-15. A LICENSED ELECTRICIAN IS RECOMMENDED.
13. Attach ground wire from the fixture (green or copper in color) to the ground wire in outlet box. Fasten wires together with wire nut (O) and tightly wrap connection with electrical tape.
14. Attach hot wire from fixture (black in color, or smooth side of wire) to hot wire from ceiling outlet box. Fasten wires together with wire nut (O) and tightly wrap connection with electrical tape.
15. Attach neutral wire from fixture (white in color or ribbed side of wire) to neutral wire from ceiling outlet box. Fasten wires together with wire nut (O) and tightly wrap connection with electrical tape.
16. Gently push wire connections back into ceiling outlet box. Slide canopy (C) up loop (G) and hold flush against ceiling. To secure position of canopy (C), slide collar (D) up the loop and thread it onto hang straight (F). Turn until hand tight.
17. Slide shade (J) over socket (K). Repeat for remaining shades.
18. Install seven 60W MAX. Type B, candelabra base bulbs into sockets (K).
19. Install one 5W MAX, Type GU10 base LED bulb into socket located inside housing (L).
20. Align notches (N) in shade (S) with screws (M). Twist shade (S) to lock in place.
21. Reconnect main electrical supply at the fuse box/circuit breaker and test fixture.



*****To clean, use soft cloth only. Do not use any chemical or abrasive cleaners.*****