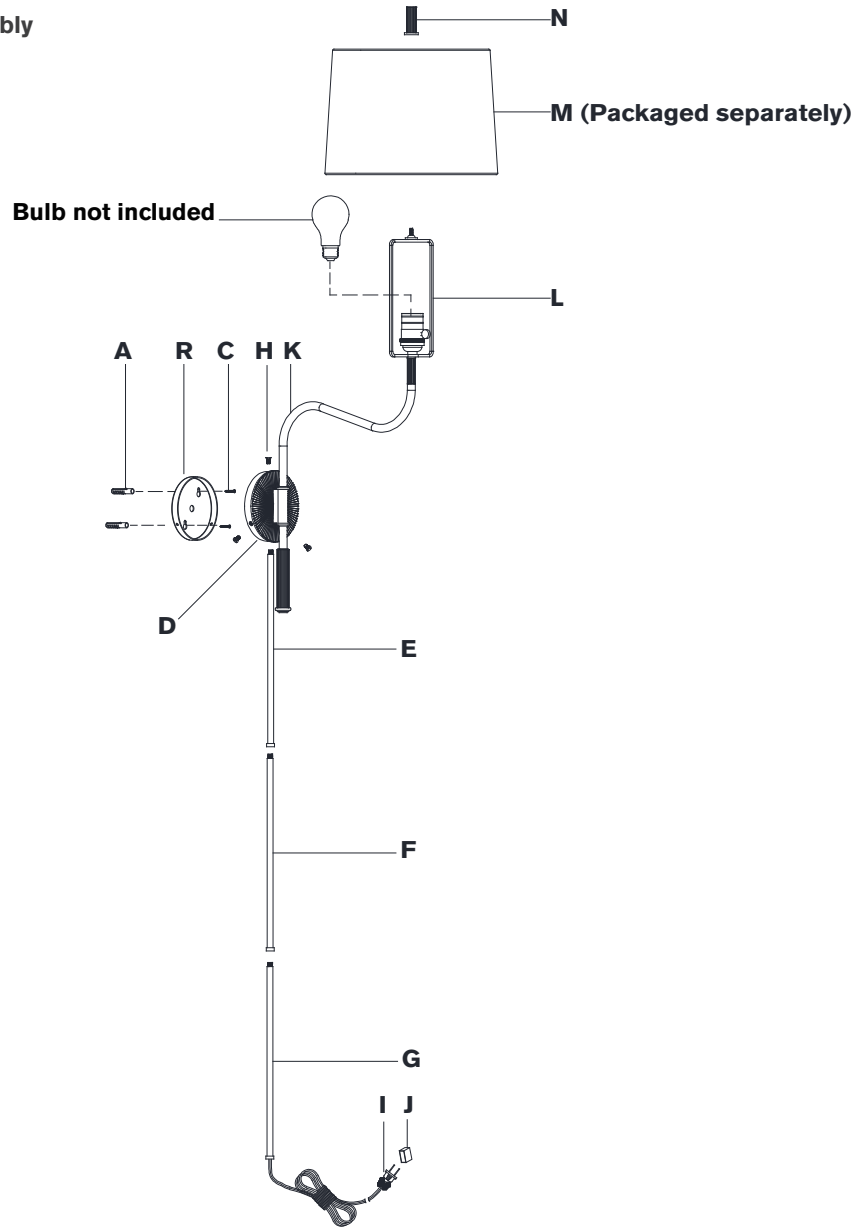


## ASSEMBLY INSTRUCTIONS

### Portable assembly



## Canto Medium Swinging Wall Light

Item #TOB2351

### NOTICE:

This light fixture should be installed in accordance with all applicable, local installation codes, and by a person familiar with the construction and operation of it, as well as the hazards involved. Inspect item and contents carefully. If any damage or defect is found, do not install. Retain all packaging material until installation is complete and approved.

### TOOLS REQUIRED (NOT INCLUDED):

Phillips Screwdriver

Slotted Screwdriver

Drill

Hammer

Pencil

1. Carefully remove all parts from the box. Place on a clean, soft surface.
2. Remove portable mounting plate (B) from fixture (D) by removing screws (H).
3. Using portable mounting plate (B) as a guide, mark anchor positions.
4. Using a drill bit slightly smaller than the anchor, drill holes in the marked positions. Install anchors (A) into holes using hammer.
5. Install portable mounting plate (B) to wall anchors using wood screws (C), then secure fixture (D) to portable mounting plate (B) using screws (H).
6. Thread cord covers (E) & (F) & (G) to fixture (D).
7. Install light bulb into the socket.
8. Remove finial (N) from harp (L).
9. Remove shade (M) from packaging, then install shade (M) to harp (L) using finial (N).  
**NOTE:** If shade has additional packaging, carefully cut off from interior of shade to avoid damages.
10. Swing arm (K) to desired angle.
11. Remove protective cover (J) from plug (I).
12. Plug into electrical outlet and test the fixture.

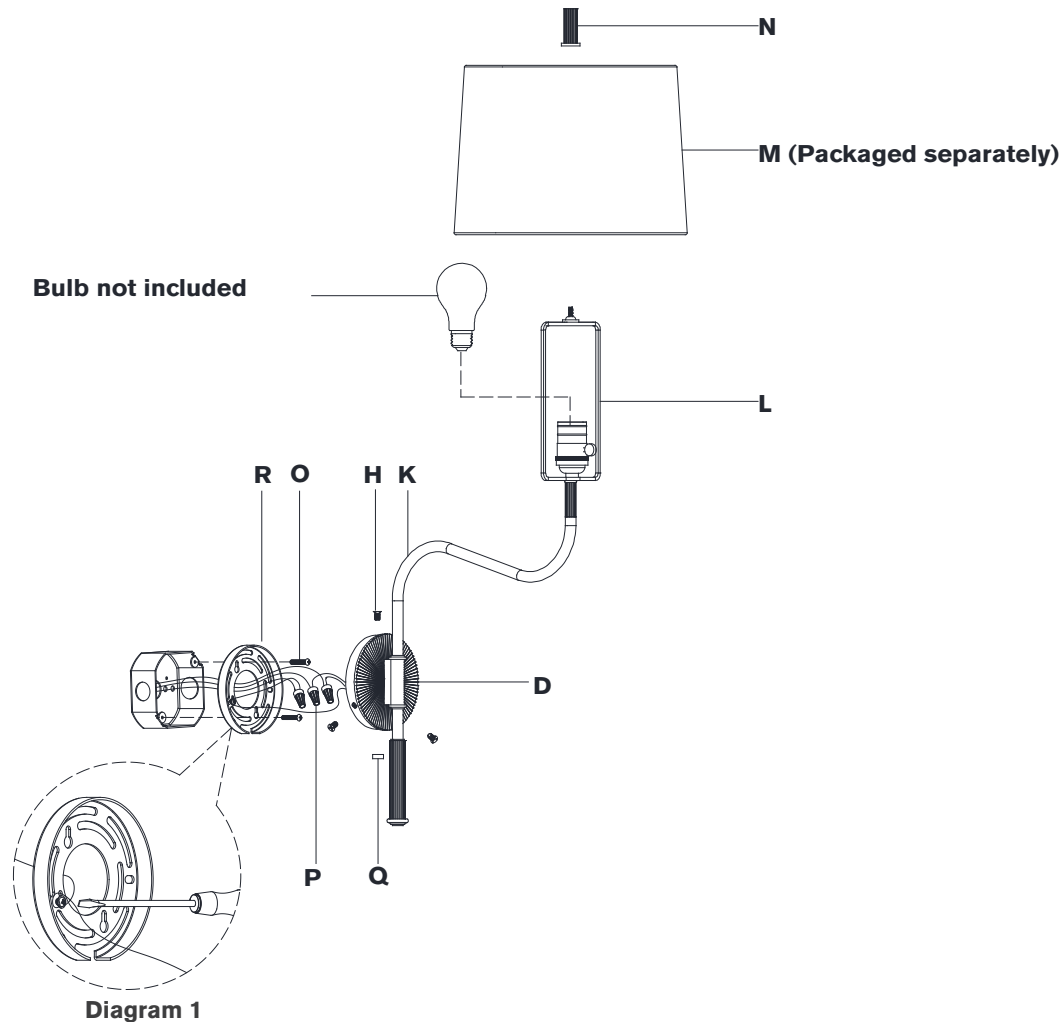
**Care Instructions:** Clean only with a soft dry cloth or feather duster. Do not use abrasive or chemical agents.

VISUAL COMFORT



## ASSEMBLY INSTRUCTIONS

### Hardwire assembly



## Canto Medium Swinging Wall Light

Item #TOB2351

### NOTICE:

This light fixture should be installed in accordance with all applicable, local installation codes, and by a person familiar with the construction and operation of it, as well as the hazards involved. Inspect item and contents carefully. If any damage or defect is found, do not install. Retain all packaging material until installation is complete and approved.

### TOOLS REQUIRED (NOT INCLUDED):

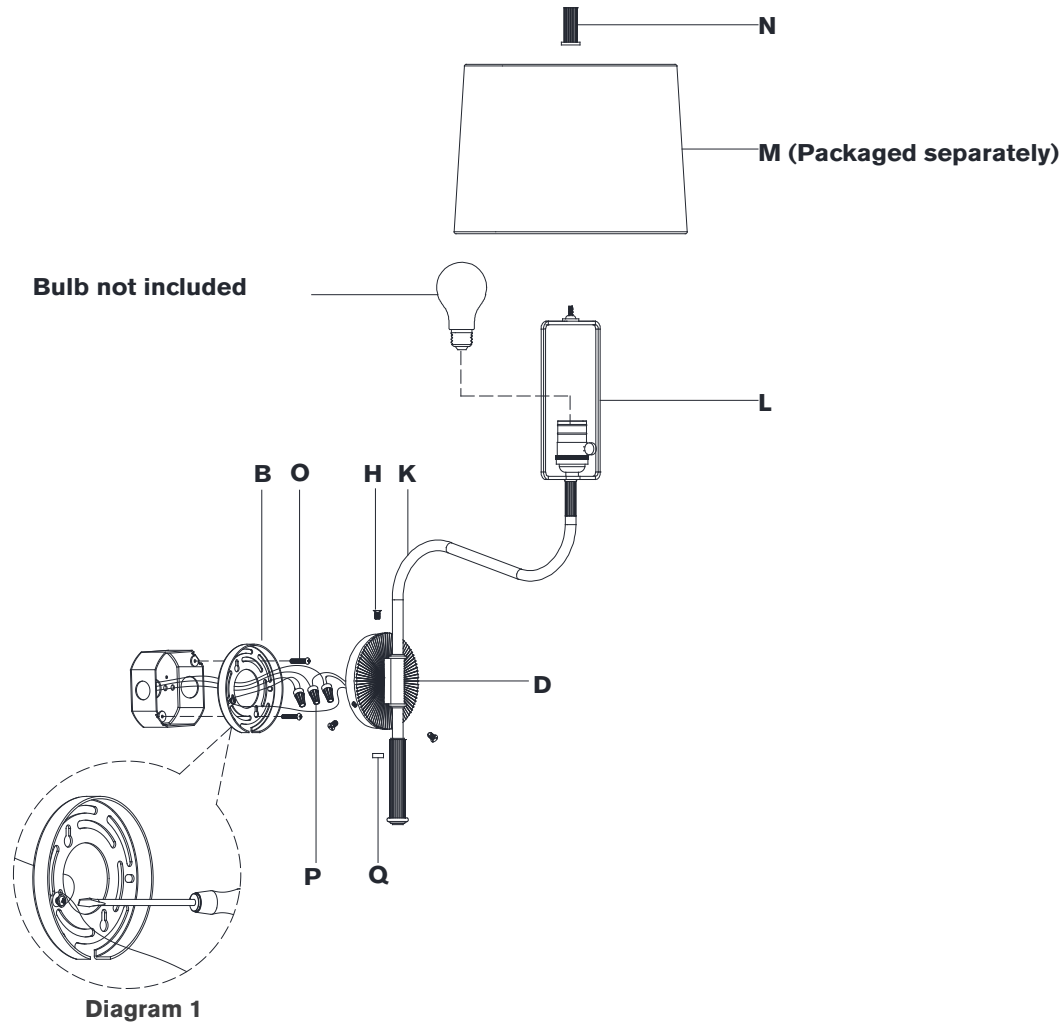
Phillips Screwdriver

Slotted Screwdriver

1. Carefully remove all parts from the box. Place on a clean, soft surface.
  2. Remove portable mounting plate **(B)** from fixture **(D)** by removing screws **(H)**.
  3. Install hardwire mounting plate **(R)** to the junction box and secure with mounting screws **(O)**.
  4. Remove cord covers and portable cord by loosening the wire nuts.
  5. Insert direct wire plug **(Q)** to the bottom of fixture **(D)**.
  6. Wrap fixture ground wire (bare copper) around the green grounding screw (see diagram 1). Tighten. Continue fixture ground wire and connect to supply ground wire (usually green or bare copper) using wire nut **(P)**.
- NOTE:** It is imperative that the fixture is grounded.
7. Connect fixture neutral wire (white) to the supply neutral wire (usually white) using wire nut **(P)**.
  8. Connect fixture hot wire (black) to the supply hot wire (usually black) using wire nut **(P)**.
- CAUTION:** Do not reverse the hot and neutral connections.
9. Make sure all wire connections are tight, then carefully tuck into the junction box.
  10. Install fixture **(D)** to hardwire mounting plate **(R)** and secure with screws **(H)**.

## ASSEMBLY INSTRUCTIONS

### Hardwire assembly



## Canto Medium Swinging Wall Light

Item #TOB2351

### NOTICE:

This light fixture should be installed in accordance with all applicable, local installation codes, and by a person familiar with the construction and operation of it, as well as the hazards involved. Inspect item and contents carefully. If any damage or defect is found, do not install. Retain all packaging material until installation is complete and approved.

11. Install light bulb into the socket.
12. Remove finial **(N)** from harp **(L)**.
13. Remove shade **(M)** from packaging, then install shade **(M)** to harp **(L)** using finial **(N)**.  
**NOTE:** If shade has additional packaging, carefully cut off from interior of shade to avoid damages.
14. Swing arm **(K)** to desired angle.

**Care Instructions:** Clean only with a soft dry cloth or feather duster. Do not use abrasive or chemical agents.