

ASSEMBLY INSTRUCTIONS

Cord mount
sold separately

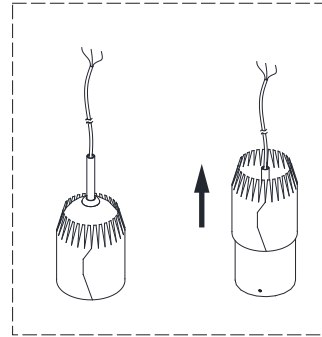
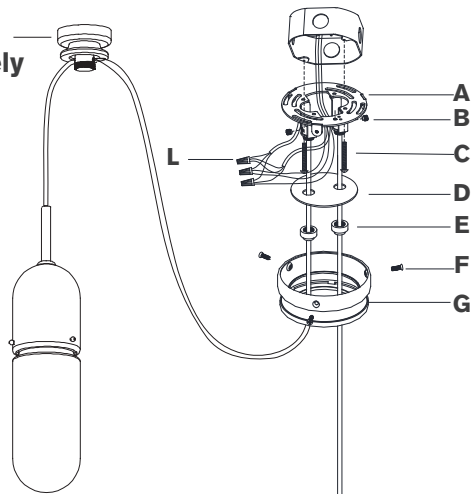


Diagram 1

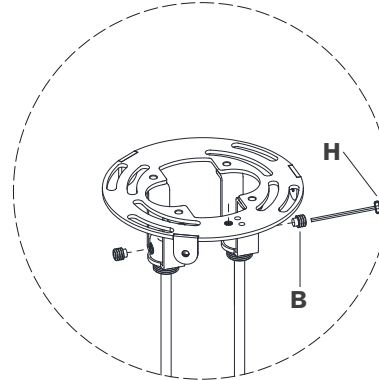
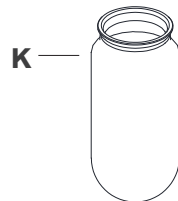


Diagram 2



Bulbs not included



Junio 2-Light Pendant

Item # TOB5645-2

NOTICE:

This light fixture should be installed in accordance with all applicable, local installation codes, and by a person familiar with the construction and operation of it, as well as the hazards involved. Inspect item and contents carefully. If any damage or defect is found, do not install. Retain all packaging material until installation is complete and approved.

TOOLS REQUIRED (NOT INCLUDED):

Phillips Screwdriver

Slotted Screwdriver

Wire Cutters

Wire Strippers

- Carefully remove all parts from the box. Place on a clean, soft surface.
- Remove mounting plate (A) from canopy (G) by removing screws (F).
- Remove metal plate (D) from mounting plate (A) by removing collar rings (E).
- Install mounting plate (A) to junction box and secure with mounting screws (C).
- Feed fixture wires through collar rings (E) and metal plate (D).
NOTE: Slide packaging up cord for light head inspection, then slide back down and leave in place until installation is complete. See diagram 1.
- Insert fixture wires through the center hole of mounting bracket and secure with set screws (B) using provided wrench (H). See diagram 2.
NOTE: Set fixture to desired height before moving to next step.
- Cut excess wires, being sure to leave enough to reach the junction box. Separate wires, and strip insulation on each 5/8".
- Wrap supply ground wire (bare copper) around the green grounding screw. Tighten. Continue fixture ground wire and connect to supply ground wire (usually green or bare copper) using wire nut (L).
NOTE: It is imperative that the fixture is grounded.
- Connect fixture neutral wire (white) to the supply neutral wire (usually white) using wire nut (L).

VISUAL COMFORT



ASSEMBLY INSTRUCTIONS

Cord mount
sold separately

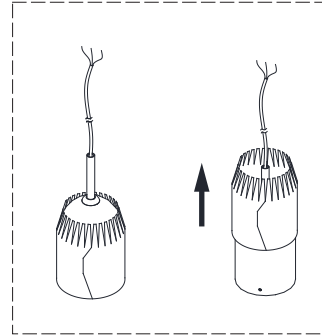
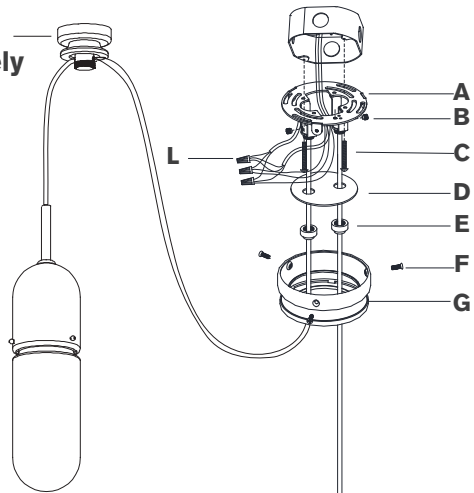


Diagram 1

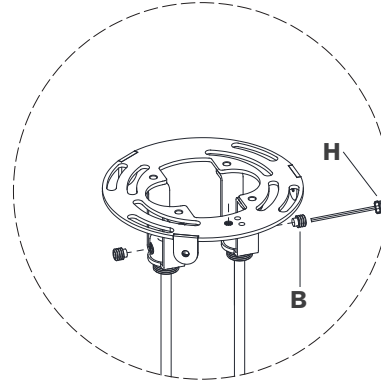
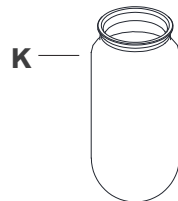


Diagram 2



Bulbs not included



Junio 2-Light Pendant

Item # TOB5645-2

NOTICE:

This light fixture should be installed in accordance with all applicable, local installation codes, and by a person familiar with the construction and operation of it, as well as the hazards involved. Inspect item and contents carefully. If any damage or defect is found, do not install. Retain all packaging material until installation is complete and approved.

10. Connect fixture hot wire (black) to the supply hot wire (usually black) using wire nut (L).

CAUTION: Do not reverse the hot and neutral connections.

11. Install metal plate (D) to mounting plate (A) and secure with collar rings (E).
12. Install canopy (G) to mounting plate (A) and secure with screws (F).
13. Install light bulbs into the sockets.
14. Install glass shades (K) to fixture body (I) and secure with thumbscrews (J).

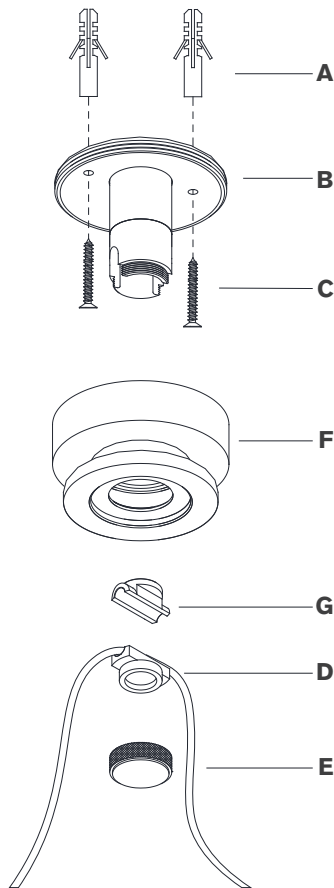
NOTE: Thread thumbscrews (J) in evenly to ensure glass is properly secured. Do not overtighten.

Care Instructions: Clean only with a soft dry cloth or feather duster. Do Not use abrasive or chemical agents.

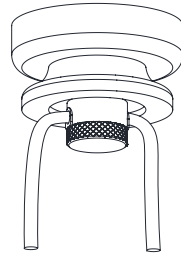
VISUAL COMFORT



ASSEMBLY INSTRUCTIONS



Assembled View



Junio Cord Mount

Item # TOB5645-PRT

NOTICE:

This light fixture should be installed in accordance with all applicable, local installation codes, and by a person familiar with the construction and operation of it, as well as the hazards involved. Inspect item and contents carefully. If any damage or defect is found, do not install. Retain all packaging material until installation is complete and approved.

CORD MOUNT OPTION (SOLD SEPARATELY)

1. Carefully remove all parts from the box. Place on a clean, soft surface.
2. Remove canopy (F) from mounting plate (B) by unscrewing, then remove threaded cap (E) and wire mounts (G & D) from mounting plate.
3. Using the mounting plate (B) as a guide, line up with ceiling and mark anchor positions.
4. Using a drill bit slightly smaller than the anchor, drill holes in the marked positions. Install anchors (A) into the holes using hammer.
5. Install mounting plate (B) to ceiling and secure with wood screws (C) to anchors (A).
6. Thread canopy (F) to mounting plate (B).
7. Place fixture wire into slot of bottom wire mount (D).
8. Adjust fixture wire to desired height, then install wire mounts (G & D) to mounting plate (B) and secure with threaded cap (E).

Care Instructions: Clean only with a soft dry cloth or feather duster. Do Not use abrasive or chemical agents.