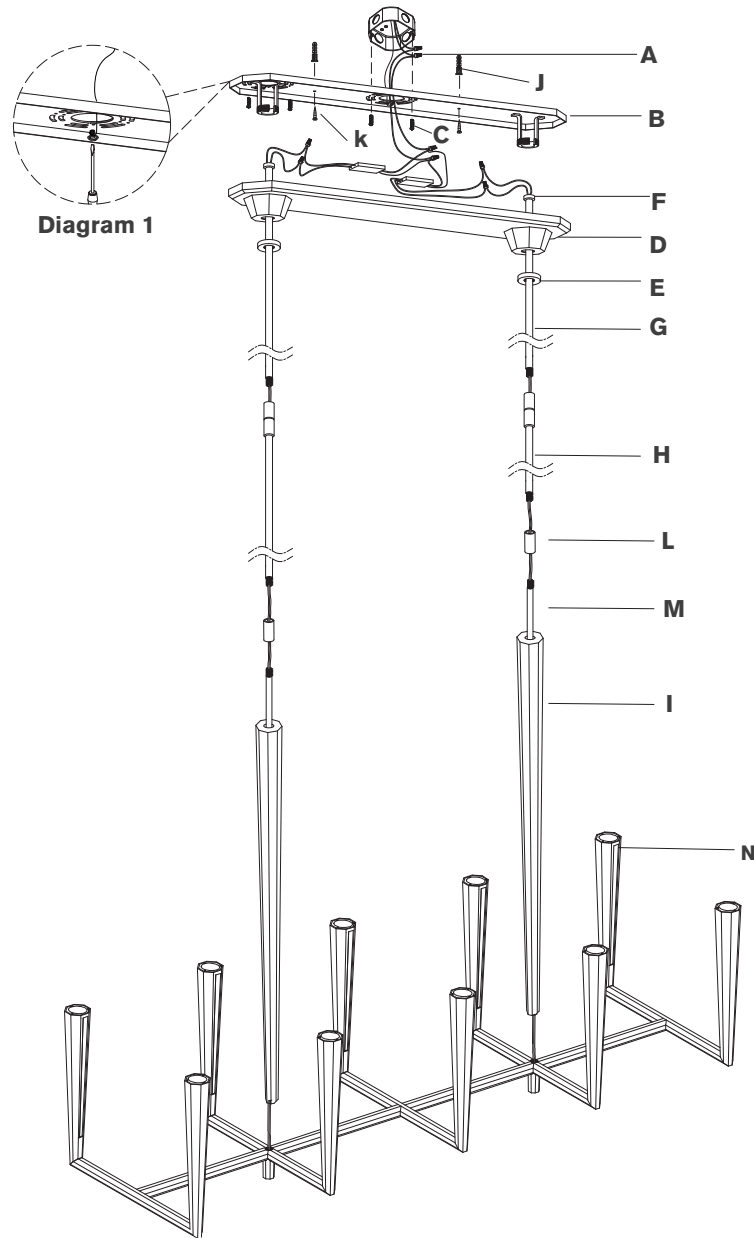


ASSEMBLY INSTRUCTIONS



Galahad Large Linear Chandelier

Item # TOB5715

NOTICE:

This light fixture should be installed in accordance with all applicable, local installation codes, and by a person familiar with the construction and operation of it, as well as the hazards involved. Inspect item and contents carefully. If any damage or defect is found, do not install. Retain all packaging material until installation is complete and approved.

TOOLS REQUIRED (NOT INCLUDED):

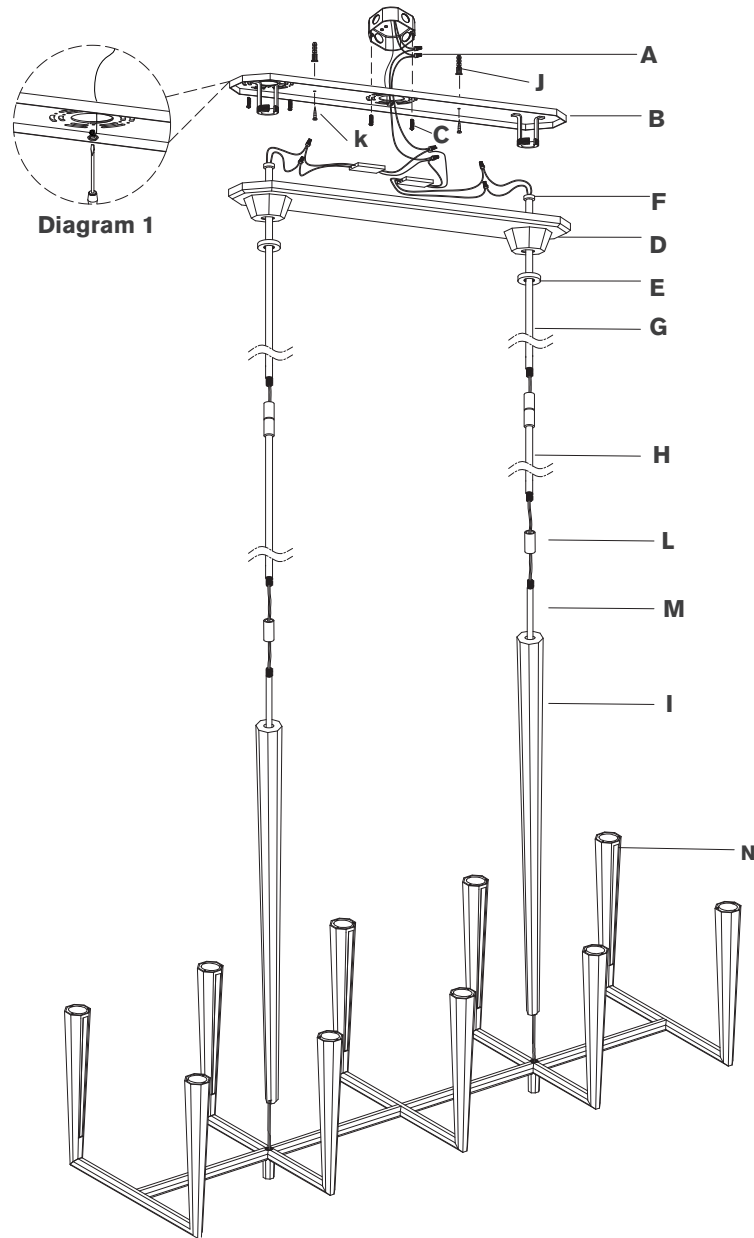
Phillips Screwdriver	Slotted Screwdriver	Wire Cutters
Wire Strippers	Hammer	Pencil
Drill		

PERSONS REQUIRED: Two

1. Carefully remove all parts from the box. Place on a clean, soft surface.
2. Remove mounting plate (B) from canopy (D) by removing collar ring (E).
3. Using the mounting plate (B) as a guide, line up with the junction box and mark anchor positions.
4. Using a drill bit slightly smaller than the anchor, drill holes in the marked positions. Install anchors (J) into the holes.
5. Install mounting plate (B) to junction box and secure with mounting screws (C), then secure wood screws (K) to anchors (J).
6. Feed electrical and ground wires through stems (M) and connect to fixture body (N). Then slip columns (I) over stems and secure with couplings (L).
7. Feed electrical and ground wires through bottom rods (H) and connect to couplings (L).
8. Continue feeding wires through collar rings (E), canopy (D) and top rods (G).

NOTE: It is recommended to have a helper assist in supporting the fixture for steps 9-10.

ASSEMBLY INSTRUCTIONS



Galahad Large Linear Chandelier

Item # TOB5715

NOTICE:

This light fixture should be installed in accordance with all applicable, local installation codes, and by a person familiar with the construction and operation of it, as well as the hazards involved. Inspect item and contents carefully. If any damage or defect is found, do not install. Retain all packaging material until installation is complete and approved.

9. Holding fixture upright, slide collar rings **(E)** and canopy **(D)** down and rest on fixture body **(N)**. Then connect top rods **(G)** to bottom rods **(H)**.
NOTE: Slide components down slowly to avoid damages.
10. Hang both sides of fixture by top mount **(F)** to the center of mounting plate **(B)**.
11. Cut excess wires, being sure to leave enough length to reach the junction box.
12. Separate two sides of molded wire, and strip insulation on each 5/8".
13. Connect fixture neutral wire (black) to the driver output neutral wire (black) using wire nut **(A)**.
14. Connect fixture hot wire (red) to the driver output hot wire (red) using wire nut **(A)**.
15. Connect supply ground wire (usually green or bare copper) around the green grounding screw (see diagram 1). Tighten.
NOTE: It is imperative that the fixture is grounded.
16. Connect driver input neutral wire (white) to the supply neutral wire (usually white) using wire nut **(A)**.
17. Connect driver input hot wire (black) to the supply hot wire (usually black) using wire nut **(A)**.
CAUTION: Do not reverse the hot and neutral connections.
18. Install canopy **(D)** to the collar loop and secure with collar rings **(E)**.

Care Instructions: Clean only with a soft dry cloth or feather duster. Do not use abrasive or chemical agents.