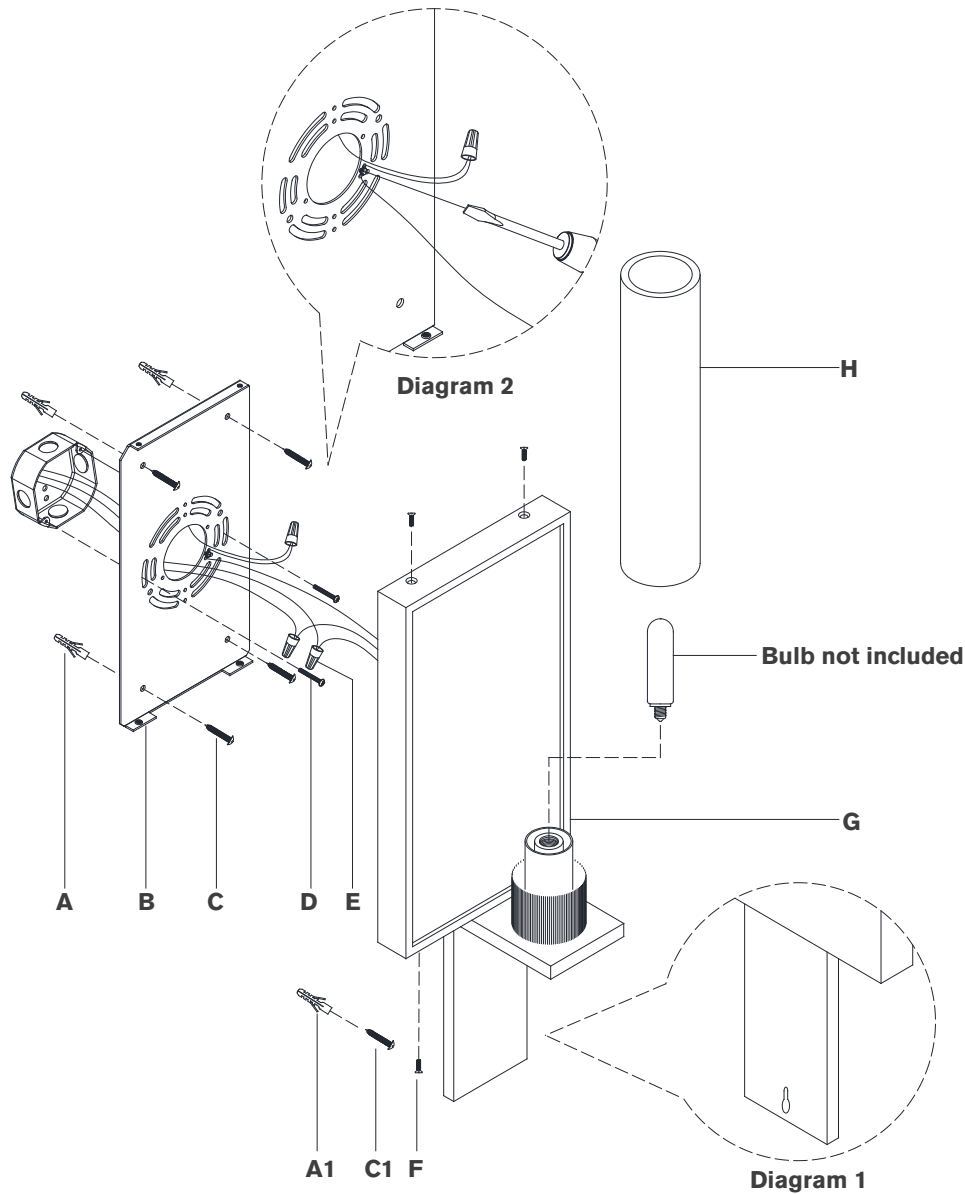


ASSEMBLY INSTRUCTIONS



Beza Single Reflector Sconce

Item # RB 2005

NOTICE:

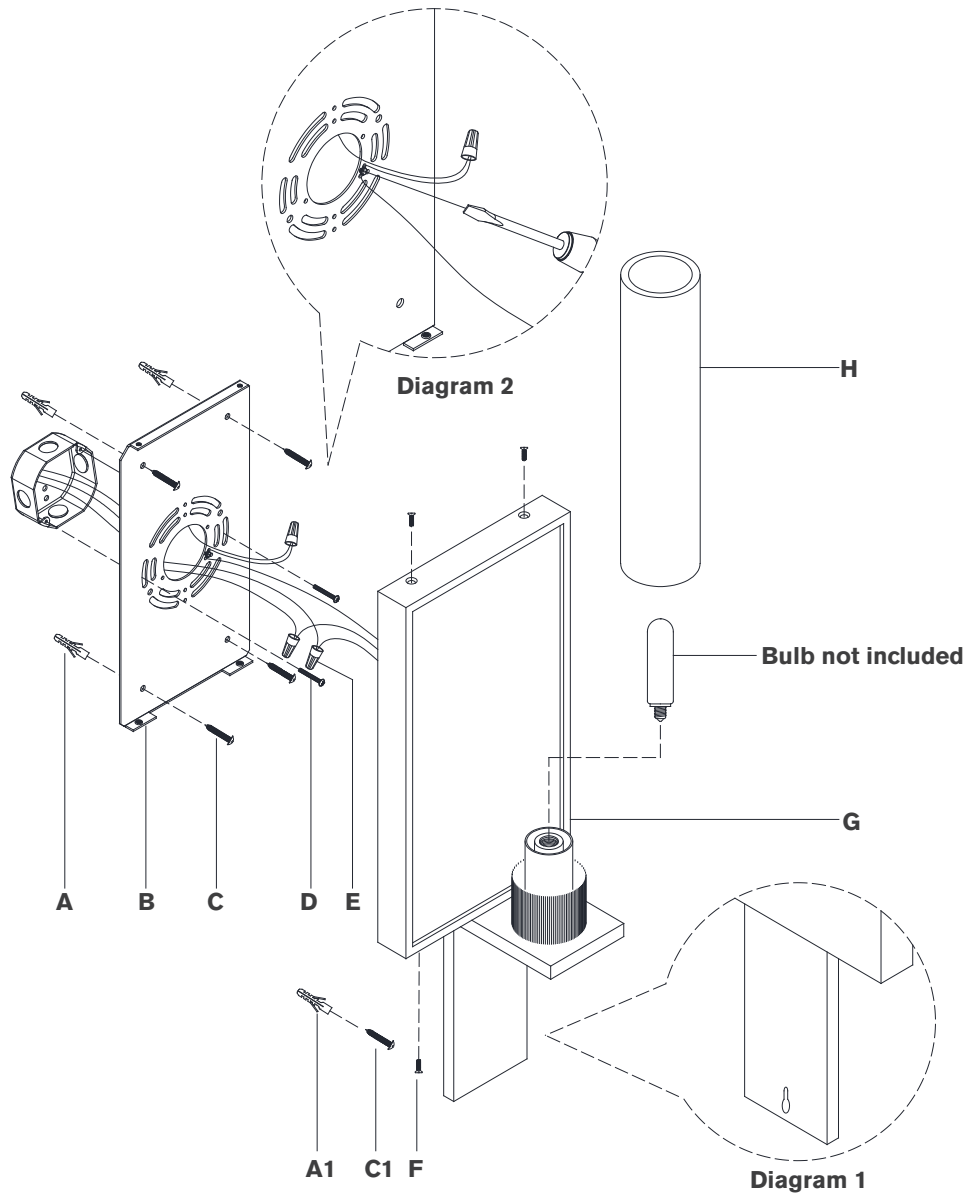
This light fixture should be installed in accordance with all applicable, local installation codes, and by a person familiar with the construction and operation of it, as well as the hazards involved. Inspect item and contents carefully. If any damage or defect is found, do not install. Retain all packaging material until installation is complete and approved.

TOOLS REQUIRED (NOT INCLUDED):

Phillips Screwdriver	Slotted Screwdriver	Drill
Pencil	Hammer	

1. Carefully remove all parts from the box. Place on a clean, soft surface.
2. Remove mounting plate (B) from fixture (G) by removing screws (F).
3. Using mounting plate (B) and fixture (G) as a guide, mark anchor positions.
NOTE: Carefully measure distance between mounting points for mounting plate (B) and fixture (G) before moving to the next step. See diagram 1.
4. Using a drill bit slightly smaller than the anchor, drill a hole in the marked position. Install anchor (A & A1) into the hole using hammer.
5. Secure wood screw (C1) to anchor (A1), leaving 1/8" of exposed thread in order to hang fixture.
6. Install mounting plate (B) to the junction box and secure with mounting screws (D), then secure wood screws (C) to anchors (A).
7. Wrap fixture ground wire (bare copper) around the green grounding screw (see diagram 2). Tighten. Continue fixture ground wire and connect to supply ground wire (usually green or bare copper) using wire nut (E).
NOTE: It is imperative that the fixture is grounded.
8. Connect fixture neutral wire (white) to the supply neutral wire (usually white) using wire nut (E).

ASSEMBLY INSTRUCTIONS



Beza Single Reflector Sconce

Item # RB 2005

NOTICE:

This light fixture should be installed in accordance with all applicable, local installation codes, and by a person familiar with the construction and operation of it, as well as the hazards involved. Inspect item and contents carefully. If any damage or defect is found, do not install. Retain all packaging material until installation is complete and approved.

9. Connect fixture hot wire (black) to the supply hot wire (usually black) using wire nut (E).
10. Make sure all wire connections are tight, then carefully tuck into the junction box.
11. Hang fixture (G) to wood screw (C1), then install to mounting plate (B) and secure with screws (F).
12. Install light bulb into the socket.
13. Thread shade (H) to fixture (G).

NOTE: Do not overtighten otherwise glass shade could be damaged.

Care Instructions: Clean only with a soft dry cloth or feather duster. Do not use abrasive or chemical agents.