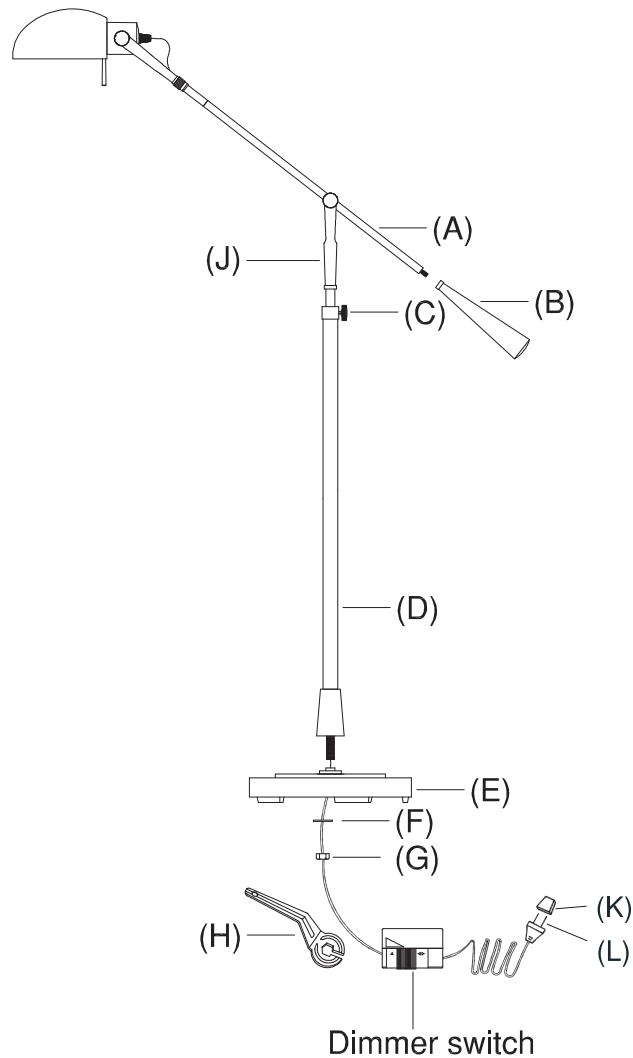


## ASSEMBLY INSTRUCTIONS



## Equilibrium Floor Lamp

Item # RL 11170

### NOTICE:

This light fixture should be installed in accordance with all applicable, local installation codes, and by a person familiar with the construction and operation of it, as well as the hazards involved. Inspect item and contents carefully. If any damage or defect is found, do not install. Retain all packaging material until installation is complete and approved.

1. Carefully remove all parts from the box. Place on a clean, soft surface.
2. Join parts (D),(E) together, letting rod on bottom of pole (D) pass through the center holes on base (E).
3. From the underside of base, slide the washer (F) over the threaded rod and then thread nut (G) onto the rod. Use the open wrench (H) provided to tighten the nut securely while holding the pole (D).
4. Screw balance arm (B) onto the side nipple of arm (A).
5. Insert light bulb into socket.
6. Plug lamp into electrical outlet.
7. TO ADJUST LAMP HEIGHT:
  - A. Loosen the adjustment key (C).
  - B. Adjust height by pulling or pushing upper pole (J) up or down to desired height and swing arm and/or shade to desired position.
  - C. Tighten the adjustment key (C).

**Care Instructions:** Clean only with a soft dry cloth or feather duster. Do not use abrasive or chemical agents.

# RALPH LAUREN

