

ASSEMBLY INSTRUCTIONS

Edmund Large Lantern

Item #RL 5643

NOTICE:

This light fixture should be installed in accordance with all applicable, local installation codes, and by a person familiar with the construction and operation of it, as well as the hazards involved. Inspect item and contents carefully. If any damage or defect is found, do not install. Retain all packaging material until installation is complete and approved.

TOOLS REQUIRED (NOT INCLUDED):

Phillips Screwdriver	Slotted Screwdriver	Chain Pliers
Slip Joint Pliers	Wire Strippers	Measuring Tape
Wire Cutters		

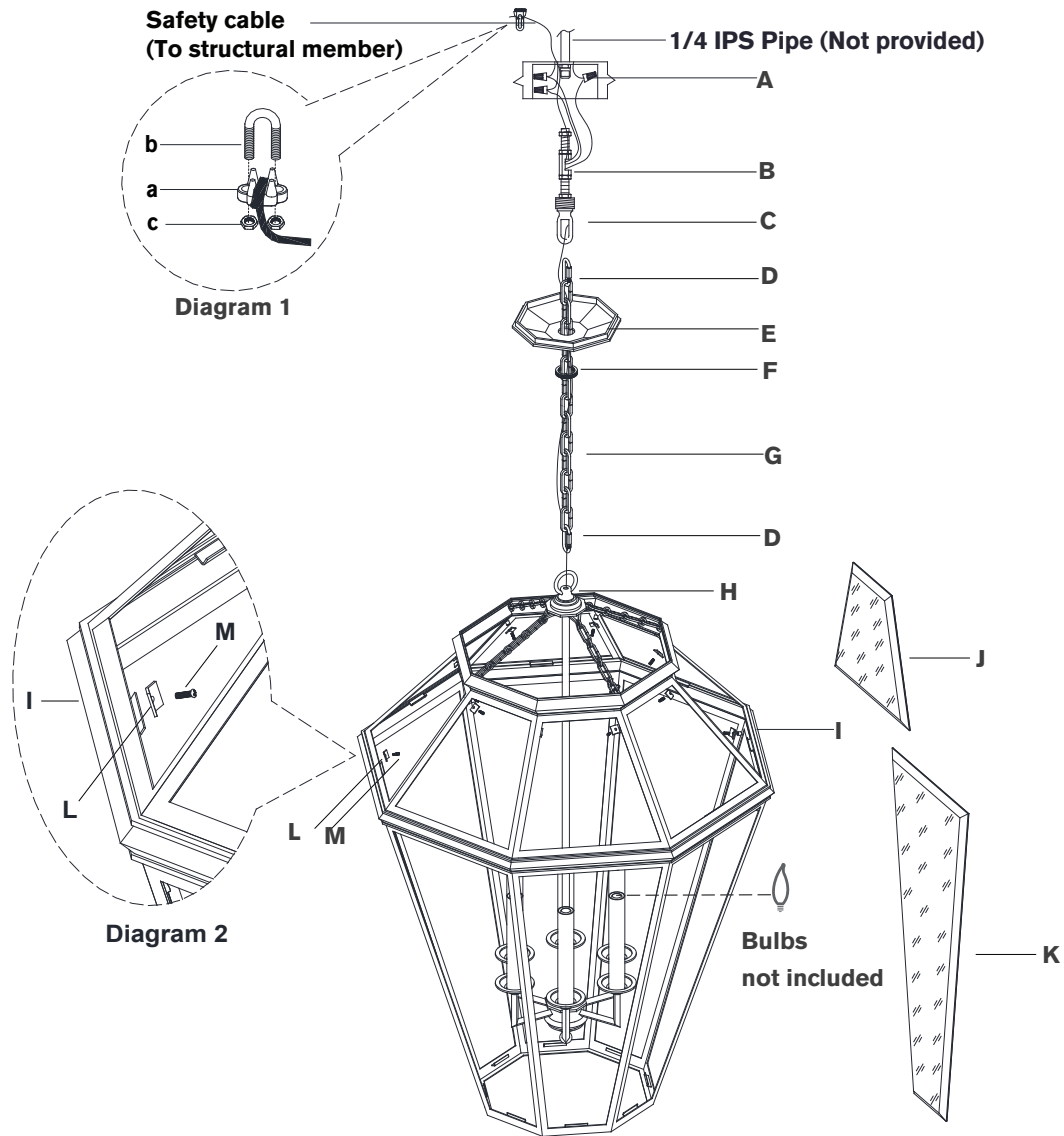
PERSONS REQUIRED: Two

- Carefully remove all parts from the box. Place on a clean, soft surface.
- It is recommended to install a 1/4 IPS threaded pipe, secured to a structural member of the building (not included). Then install threaded nipple (**B**) into receiver and tighten with wrench.

NOTE: Item must be supported independent of the junction box due to hanging weight.
- Remove collar loop (**C**) from chain (**G**) and secure to threaded receiver attached to structural member by tightening locknut.
- Install canopy (**E**) to collar loop (**C**) and secure with collar ring (**F**).
- Insert bulbs into the sockets.
- Remove metal bars (**L**) from fixture frame (**I**) by removing screws (**M**) as shown in diagram 1.
- Install glass panels (**K**) to fixture frame (**I**) by securing with metal bars (**L**) and screws (**M**).

NOTE: Do not over-tighten, otherwise glass could become damaged.
- Repeat above step. Install glass panels (**J**) to fixture frame (**I**).
- Determine desired overall length, and amount of chain (**G**) needed. Shorten chain using chain pliers. (Keep extra chain)

NOTE: It is recommended to have a helper assist in supporting the fixture for step 10.



RALPH LAUREN

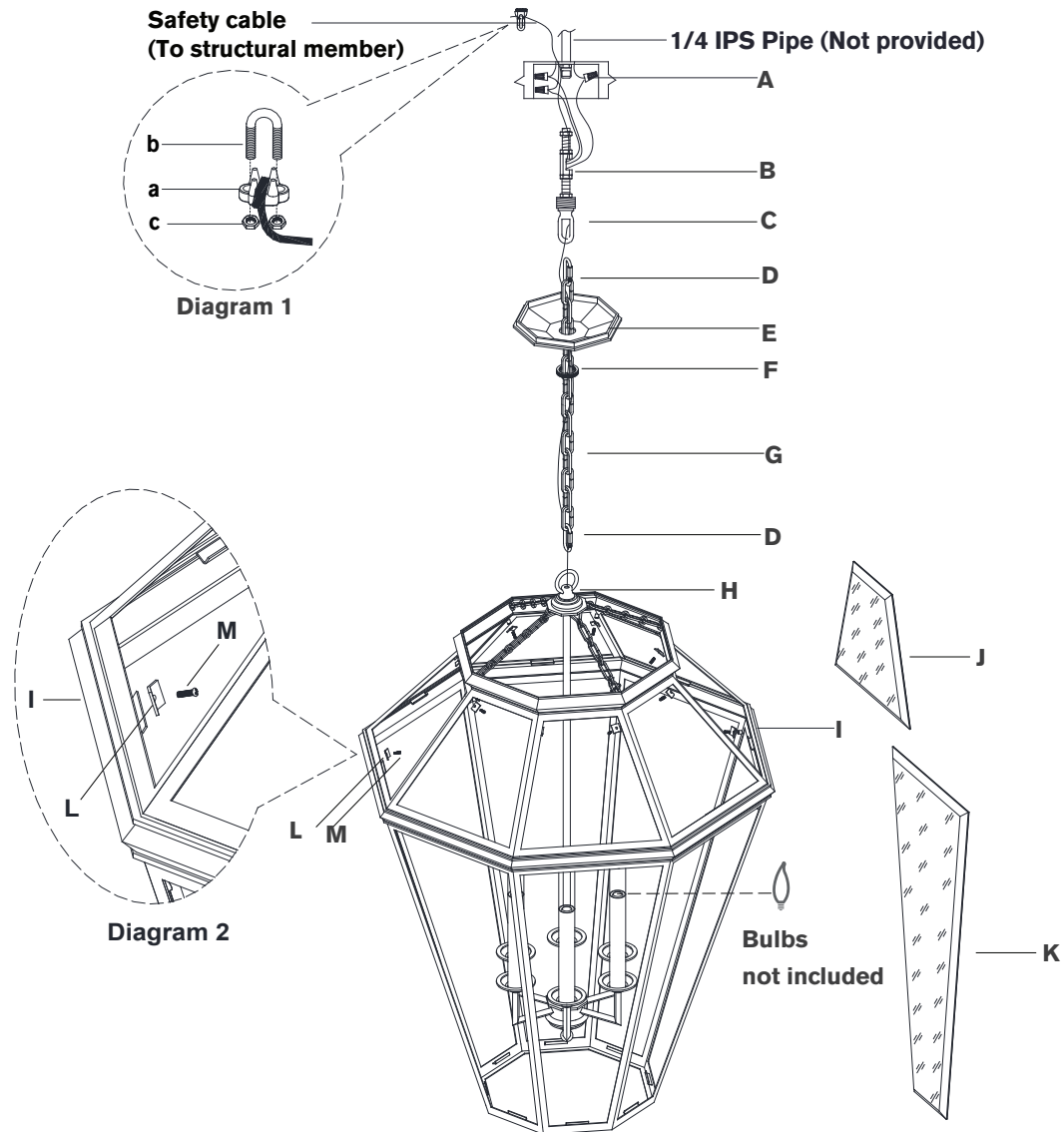
ASSEMBLY INSTRUCTIONS

Edmund Large Lantern

Item #RL 5643

NOTICE:

This light fixture should be installed in accordance with all applicable, local installation codes, and by a person familiar with the construction and operation of it, as well as the hazards involved. Inspect item and contents carefully. If any damage or defect is found, do not install. Retain all packaging material until installation is complete and approved.



10. Attach chain **(G)** to collar loop **(C)** and fixture loop **(H)** and secure with quick links **(G)**.
 11. Thread fixture wire and ground wire through chain **(G)**.

NOTE: When you reach collar loop **(C)**, ensure there is no tension on the wires. Cut excess wires, being sure to leave about **12"** to reach the junction box.
 12. Separate two sides of molded wire, and strip insulation on each 5/8".
 13. Loosen collar ring **(F)** and let canopy **(E)** slip down chain **(G)** carefully.
 14. Twist all fixture wires together. Slip through center hole of collar loop **(C)**.

NOTE: Untwist wires and separate to prepare for connection.
 15. Run safety cable through junction box and around structural member of building. Wrap the safety cable around the saddle **(a)**, and secure with u-bolt **(b)** and hex nuts **(c)**. (See diagram 1)
 16. Connect fixture ground wire (bare copper) to the supply ground wire (usually green or bare copper) using wire nut **(A)**.

NOTE: It is imperative that the fixture is grounded.
 17. Connect fixture neutral wire (ribbed) to the supply neutral wire (usually white) using wire nut **(A)**.
 18. Connect fixture hot wire (smooth with markings) to the supply hot wire (usually black) using wire nut **(A)**.

CAUTION: Do not reverse the hot and neutral connections.
 19. Make sure all wire connections are tight, then carefully tuck into the junction box.
 20. Install canopy **(E)** to collar loop **(C)** by securing with collar ring **(F)**.
- Care Instructions:** Clean only with a soft dry cloth or feather duster. Do not use abrasive or chemical agents..

RALPH LAUREN

