

Stock Code: **20087LEDMGCS-BL/WHT**

Collection: Sequoia

PRODUCT INFORMATION

Base: 20087 Parent: 20087LEDMGCS
Mounting Type: Wall UPC: 641594251890
Finish: Black
Diffuser: White

PRODUCT MEASUREMENTS

FIXTURE**	BACKPLATE / CANOPY**
Length:	Length
Width: 6"	Width:
Diameter	Diameter:
Height: 8"	Height:
Extension: 3.25"	
Overall Height:	

TECHNICAL SPECIFICATIONS

SPECIFICATIONS

Frame Material: Aluminum
Diffuser Material: Acrylic
Lamping Type: SSL (Dedicated LED) Jbox: Standard
Lamping Base: SSL Lamp Wattage: 12 W
Lamp Quantity: 1 Total Wattage: 12 W
Voltage: 100-277v Lamps Included: Yes

QUALIFICATIONS

Location Rating Wet
Certification: ETL (US/Canada) Listed
ADA Compliant: Yes Energy Star: No
JA8 Compliant: Outdoor Only Emergency Lighting: Yes
Marine Grade Finish: Yes
Warranty**: 5 Year

PHOTOMETRICS

Dimmable: No Nominal Lumens: 900 Lm
CRI: 90 Delivered Lumens: 737 Lm
CCT: Multi-CCTK
Recommended Dimmers:

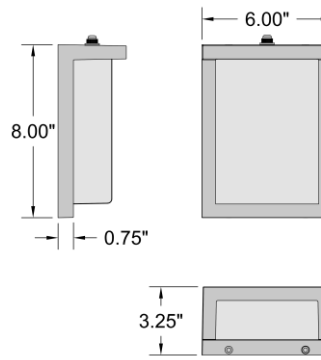
ADDITIONAL NOTES

Photocell Included; 3 CCT Selectable Switch 3000K, 4000K, 5000K

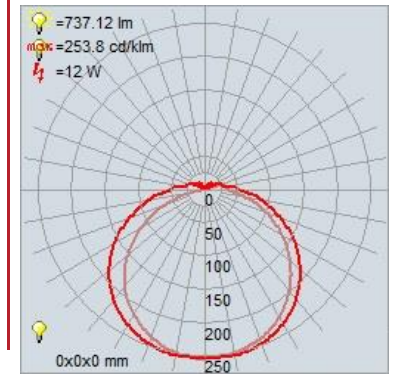
Project Name: _____
Location: _____
Type: _____
Quantity: _____
Notes:



LINE DRAWING



IES FILE



In addition to Access Lighting's purchase and warranty terms and conditions, by signing below or placing an order, you agree that you are authorized to bind the entity placing any order and acknowledge the following: All of sizes and measurements are approximate and all images are for illustrative purposes only. In the event of an inconsistency, the "Product Measurements" section controls. There also may be slight differences in the colors and designs compared to the displayed and printed images.

Signature: _____

Print Name _____ Date: _____

Toll Free 800-828-5483 www.AccessLighting.com

301 Piedmont Grove Park, Suite A, Greenville, SC 29611



** NOTE: All measurements are rounded up to the 1/4 inch. There is no warranty on any replaceable bulbs, even if included with the fixture. Copyright Access Lighting Corp. All information is subject to change without notice. 5/29/2024 20087LEDMGCS-BL_WHT.pdf